

FD2000.4

RMS Power 2Ω: 4CHx500w @2ohm

RMS Power 4Ω: 4CHx270w @4ohm

RMS Bridged 4Ω: 2CHx1,000w @4ohm

THD: <1%

Input sensitivity: 200mV-5V

HPF: 15-6KHz

LPF: 50-6KHz

Bass Boost: 0-12dB

S/N: 104dB

Working Voltage: 9V-16V

Size: 265x225x66.5mm

CanadaB
www.canasound.com

OWNERS MANUAL

FD2000.4

- We greatly appreciate your purchase of the unit.
- Be sure to take maximum advantage of all the unit has to offer, read these instructions carefully and set properly. Be sure to keep this manual for future reference, should any questions or problems arise.

POWER CONNECTION LEADS

Notes on the Power supply

- * Connect the 12V power supply lead only after all the other leads have been connected.
- * Be sure to connect the ground lead of unit securely to a metal point of the car. A loose connection may cause a malfunction of the amplifier.
- * Be sure to connect the remote control lead of the heat unit to the amplifier s remote terminal.
- * A loose connection may cause a malfunction of the amplifier.
- * When using a car radio without a remote output for the amplifier, connect the remote terminal to the accessory power supply.
- * Use the power supply lead with a fuse attach attached
- * Place the fuse in the power supply lead as close as possible to the car battery.
- * Make sure that the leads to be connected to the 12V and GND terminal of this unit are larger than 10-gauge (AWG #10) power cables.

Fig 1 POWER CONNECTOR

FD2000.4

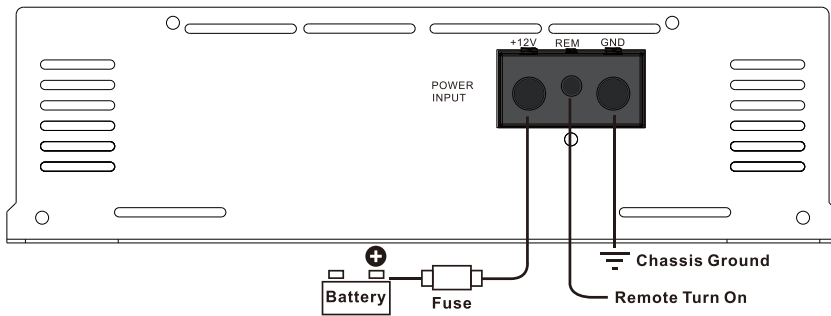


Fig 2 FRONT PANEL CONNECTOR

FD2000.4

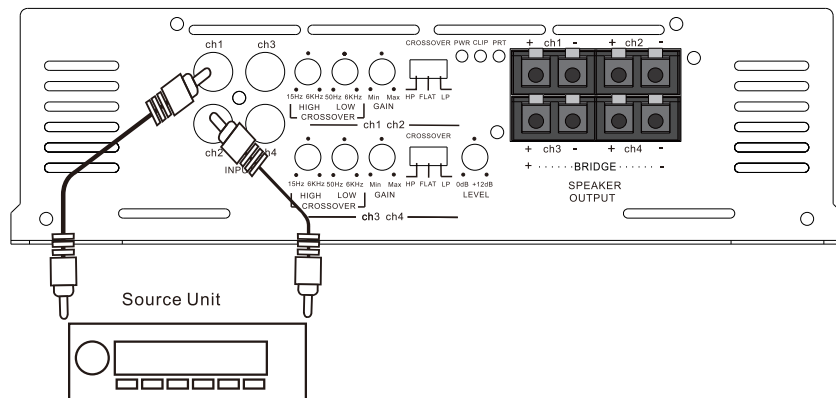
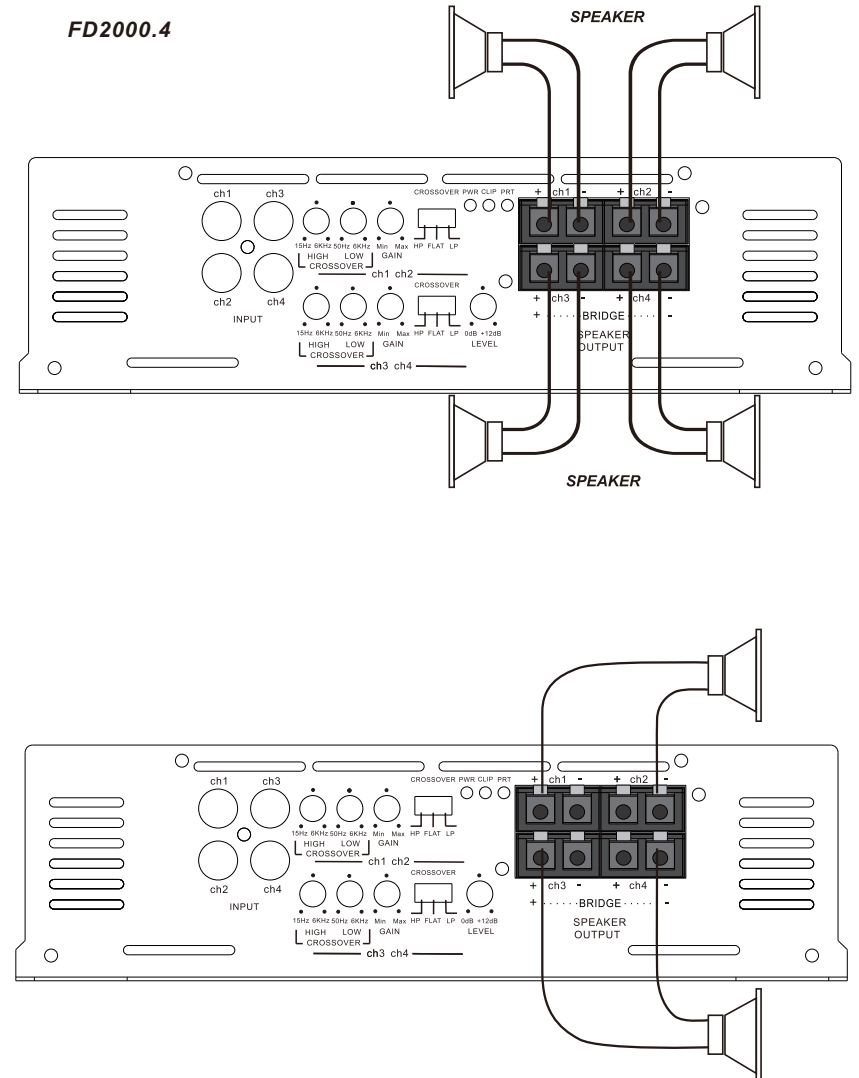


Fig 3 Speaker Connection

FD2000.4



FD2000.4 is 2 ohm stable, the minimum speaker impedance is 2 ohm in stereo mode. In bridge mode, minimum speaker impedance is 4ohm.